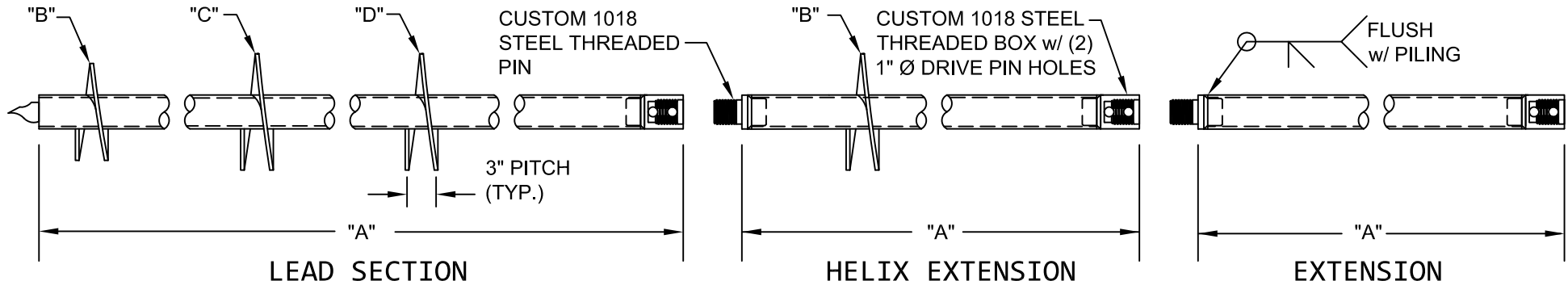


3 1/2" Ø HELICAL PILES AND ANCHORS - THREADED CONNECTION



| CAT # | "A" | "B" | "C" | "D" |
|-------|-------|-----|-----|-----|
| 5430 | 5'-0" | 8" | | |
| 5434 | 5'-0" | 10" | | |
| 5436 | 5'-0" | 8" | 10" | 12" |
| 5437 | 5'-0" | 10" | 12" | |
| 5438 | 5'-0" | 12" | | |
| 5442 | 5'-0" | 14" | | |
| 5448 | 5'-0" | 12" | 14" | |

| CAT # | "A" | "B" | "C" | "D" |
|-------|-------|-----|-----|-----|
| 5547 | 7'-0" | 8" | 10" | 12" |
| 5550 | 7'-0" | 10" | 12" | 14" |
| 5556 | 7'-0" | 12" | 14" | 16" |
| 5564 | 7'-0" | 14" | 16" | |
| | | | | |
| | | | | |
| | | | | |

| CAT # | "A" | "B" |
|---------|-------|-----|
| 5768.12 | 5'-0" | 12" |
| 5768.14 | 5'-0" | 14" |
| 5770.12 | 7'-0" | 12" |
| 5770.14 | 7'-0" | 14" |

| CAT # | "A" | ICC-ES |
|-------|--------|--------|
| 5768 | 5'-0" | |
| 5770 | 7'-0" | |
| 5810 | 10'-0" | |

STRENGTH RATING

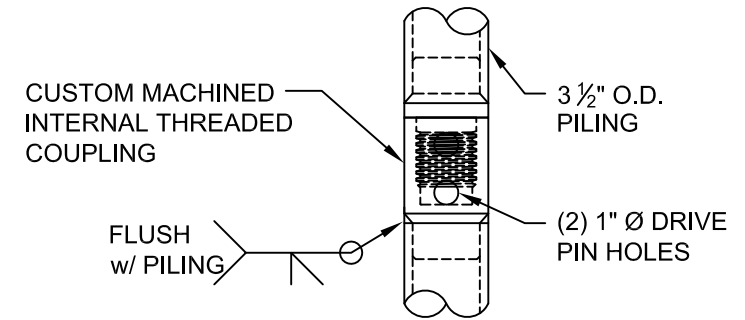
MAX. TORQUE STRENGTH - 14,000 FT-LB
 ULTIMATE CAPACITY (TENS/COMP) - 98.0 KIP*
 ALLOWABLE CAPACITY (TENS/COMP) - 49.0 KIP**

* BASED ON A TORQUE FACTOR (Kt) = 7
 ** W/ SAFETY FACTOR OF 2 BEING APPLIED
 ***RECOGNIZED BY ICC-ES IN ESR-1854

*MULTI-HELIX ARE SPACED 3 DIAMETERS ABOVE THE LOWER HELIX.

NOTES:

1. POLYETHYLENE COPOLYMER THERMOPLASTIC COATING PER ICC-ES AC 228.
2. REFERENCE EXTENSION AND LEAD SECTION TABLES FOR TYPICAL LENGTHS AND HELIX COMBINATIONS.
3. SHAFT MATERIAL IS 3 1/2" DIAMETER, 0.25" WALL THICKNESS AND MINIMUM Fy = 65 KSI PIPE.
4. HELIX MATERIAL IS MINIMUM 50 KSI CARBON STEEL. PLATE THICKNESS AVAILABLE IN 0.375" AND 0.5".
5. CONNECTORS ARE 1018 CUSTOM MACHINED 3 1/2" SOLID INTERNAL COUPLERS. BOTH MALE (PIN) AND FEMALE (BOX) COUPLERS ARE SHOP WELDED IN PLACE. (Fy = 40 KSI, Fu = 60 KSI)
6. NOMINAL SPACING BETWEEN HELICAL PLATES IS THREE TIMES THE DIAMETER OF THE LOWER HELIX.
7. MANUFACTURER TO HAVE IN EFFECT INDUSTRY RECOGNIZED WRITTEN QUALITY CONTROL FOR ALL MATERIALS AND MANUFACTURING PROCESSES.
8. ALL WELDING IS TO BE DONE BY WELDERS CERTIFIED UNDER SECTION 5 OF THE AWS CODE D1.1.



CONNECTION DETAIL

| | | |
|-----------------------|--------------------------|------------------|
| DWG. NO. : 3500.0001 | CATALOG NO. : SEE TABLES | REV. 2 |
| SCALE 3/4" = 1'-0" | DRAWN BY DLW | DATE: 07/26/2013 |
| | | SHEET 1 OF 1 |